

REV	ECN NO.	DESCRIPTION	DRWN	APPD.	DATE

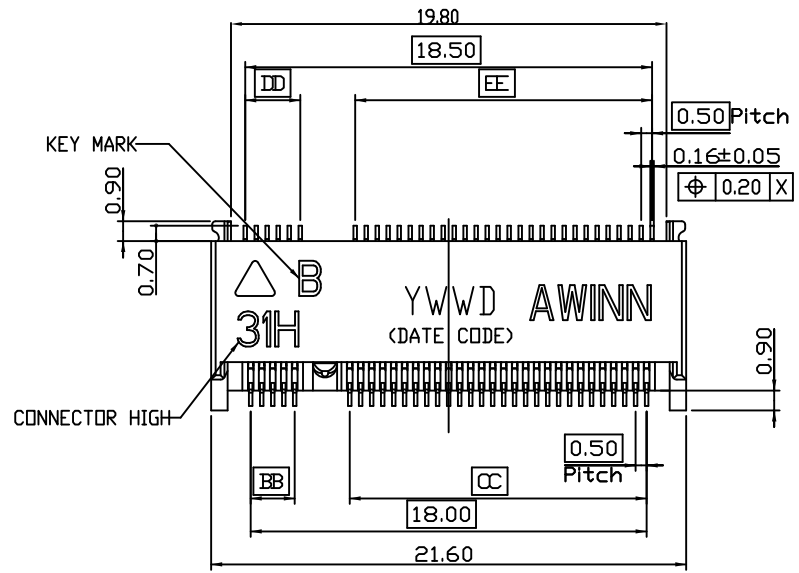


TABLE 1:

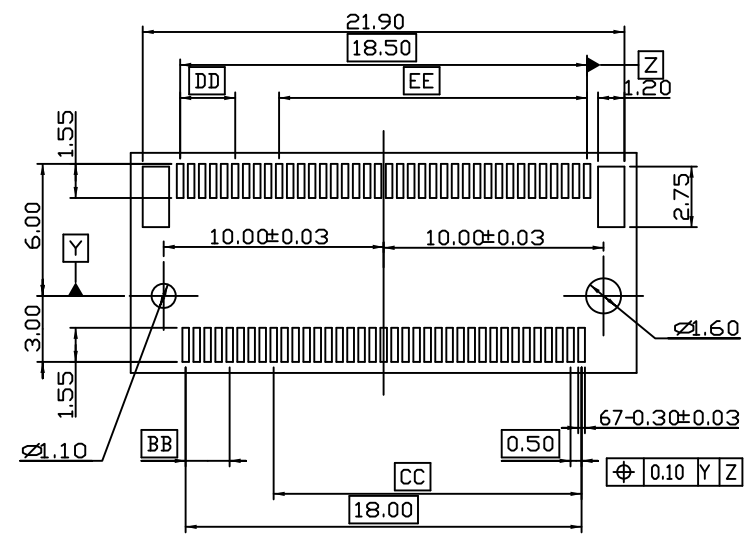
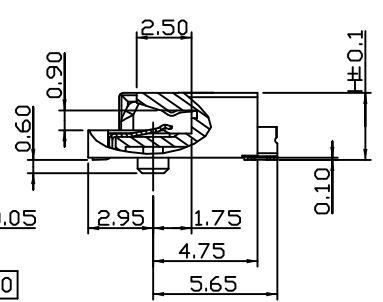
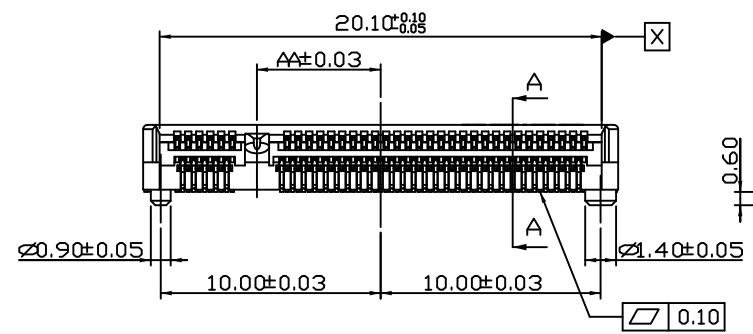
KEY #	AA	BB	CC	DD	EE
A	+6.625	1.0	14.5	1.5	14.5
B	+5.625	2.0	13.5	2.5	13.5
E	+2.625	5.0	10.5	5.5	10.5
M	-6.125	14.0	1.5	14.0	2.0

ITEM	PART NAME	Q'TY	MATERIAL	FINISH
1	BODY	1	LCP	
2	UPPER CONTACT	34	PHOSPHOR BRONZE	GOLD PLATING
3	UPPER CONTACT	33	PHOSPHOR BRONZE	GOLD PLATING
4	HOLD DOWN	2	BRASS	TIN 100u"

TABLE 2:

SERIES NUMBER	H	H1	H2
AWM-215	2.10	2.15	0.60
AWM-310	3.05	3.10	1.45
AWM-410	4.05	4.10	2.45

DESIGNATION
 AWM-XXXXXXR
 AWM: SERIES NUMBER XXX
 X: KEY CODE (A, B, E, M)
 XX: PLATING CODE FOR CONTACT AREA
 01:G/F
 03:3u"
 10:10u"
 15:15u"
 30:30u"
 R: PACKING FOR TAPE & REEL



RECOMMEND NGFF MINI CARD MOUNTING TYPE_SMT_PCB OUTLINE ;
 GENERAL TOLERANCE ±0.05mm



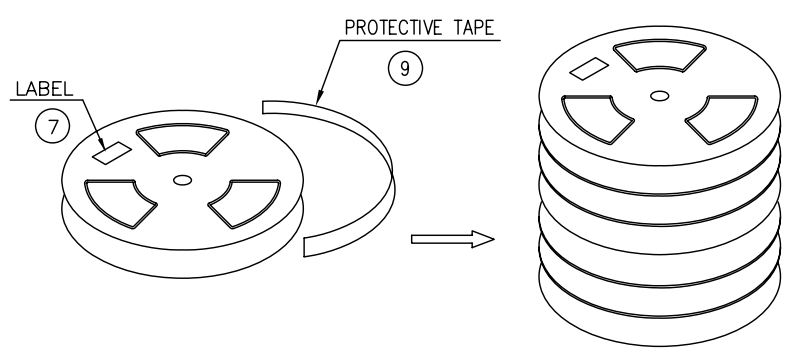
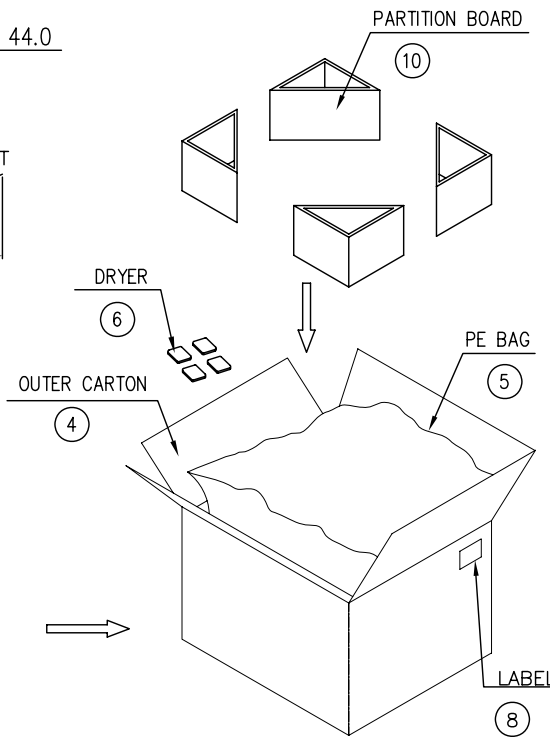
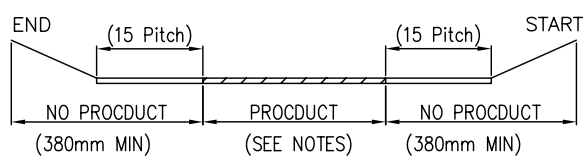
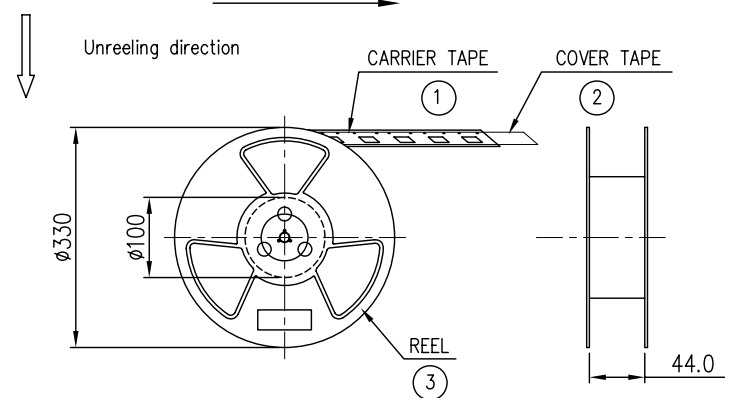
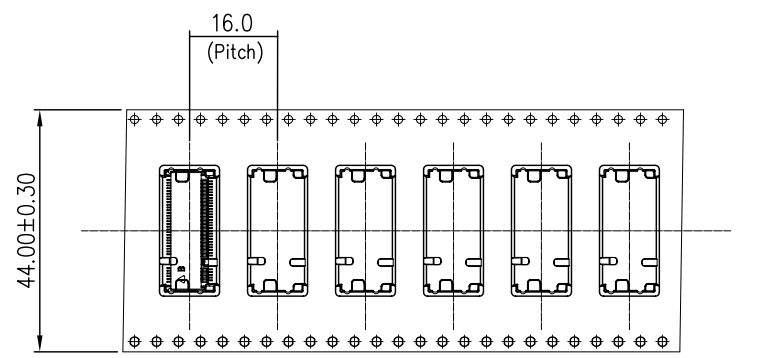
MATING CONDITION SCALE: 2:1

UNITS mm	SCALE 4/1	REV. O	SHEET 1 OF 1	Awinn Creative Technologies	
DATE 20141030		TITLE NGFF CONNECTOR			
GENERAL TOLERANCE		DR.	MAT'L SEE TABLE	FINISH SEE NOTES	
0. ±0.30	0.0 ±0.20	CHK.	DWG.NO.	PART NO. SEE TABLE	SIZE A3
0.00 ±0.10	0.° ±4°	APPD.	C		
0.0° ±2°					

6	7	8
REV/ECN NO.	DESCRIPTION	DRWN APPD. DATE

NOTES:

- PACKING STYLE A) AWN215XXXR (2.15H)
1200 PCS/REEL
7200 PCS/OUTER CARTON
B) AWN310XXXR (3.1H)
900 PCS/REEL
5400 PCS/OUTER CARTON
C) AWN410XXXR (4.1H)
750 PCS/REEL
4500 PCS/OUTER CARTON
- MATERIAL CARRIER TAPE: PS BLACK
COVER TAPE: PET FILM
REEL: PLASTIC
- PEEL STRENGTH OF COVER TAPE: 20-80g (PEEL SPEED 300mm/MINUTE).



NO	PACKING NAME	PART NO.	PCS/R R/BOX	UNIT	NOTE
10	PARTITION BOARD	53WP032A0010	4	PCS	
9	PROTECTIVE TAPE	53WB071B0011	6	PCS	
8	LABEL	53WG020A0011	1	PCS	
7	LABEL	53WG010A0011	6	PCS	
6	DRYER	53WD010A0011	4	BAG	
5	PE BAG	53WB082A0021	1	PCS	W750*L850*0.06mm
4	OUTER CARTON	53WP022A0060	1	PCS	350*350*320mm
3	REEL	53WB041B0011	6	SET	φ330*100mm,W=44mm
2	COVER TAPE	53WB061B1011	SEE NOTES	6	PCS W=37.5mm
1	CARRIER TAPE	53WB051B0080	SEE NOTES	6	PCS W=44mm,T=0.4mm

UNITS	SCALE	REV.	SHEET	Awinn Creative Technologies	
mm	A	1	OF 1		
DATE		20141030		TITLE	
GENERAL TOLERANCE		DR.		NGFF CONNECTOR	
0.0	±0.30	CHK.		MAT'L	SEE NOTES
0.0	±0.20	APPD.		FINISH	SEE NOTES
0.00	±0.10	DWG.NO.		PART NO.	
0.0*	±4*				
0.0*	±2*				